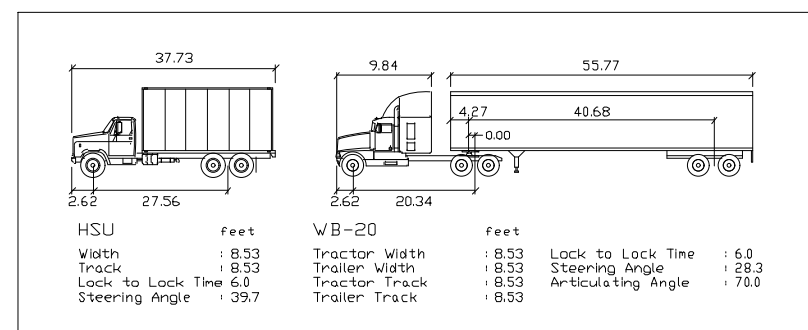
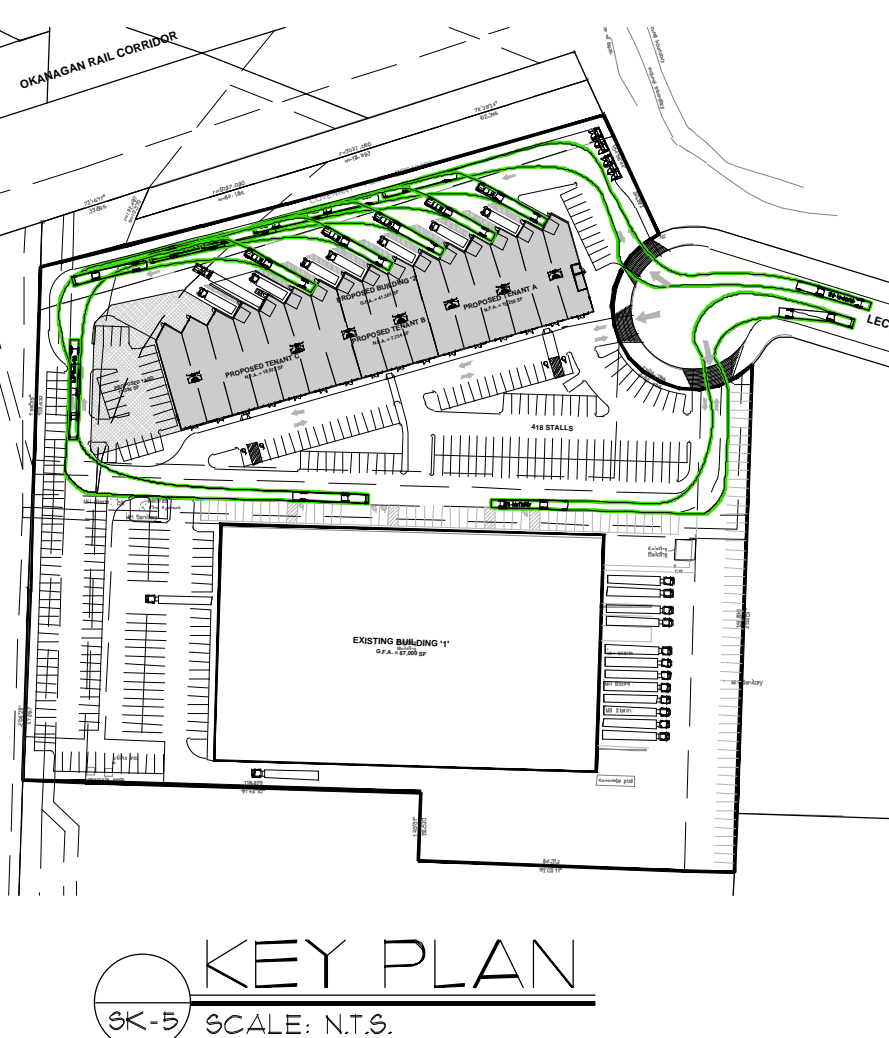


OKANAGAN RAIL CORRIDOR



DESIGN VEHICLES



no. / yymm / description
revisions

NORTH

This drawing, as an instrument of service, is the property of Urban Design Group Architects Ltd., and may not be reproduced, copied or loaned without written permission.

All designs, concepts, and other information shown on this drawing, are for use on this project only, and shall not be used otherwise without written permission.

consultant



INDUSTRIAL SERVICE COMMERCIAL DEVELOPMENT
2130 LECKIE PLACE, KELOWNA, BC V1Y 7W7
For MCINTOSH PROPERTIES

architects ltd.
420 - 745 THURLOW ST
VANCOUVER, BC V6E 0C5
TELEPHONE (604) 687-2334
FACSIMILE (604) 688-7481

project number **3733**
sheet 131a

ENLARGED SITE PLAN

date 2017-07-04 sheet number
scale AS NOTED
drawn CDC, AH
checked AY

SK-5